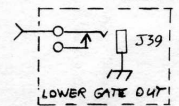
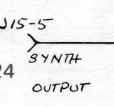
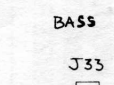
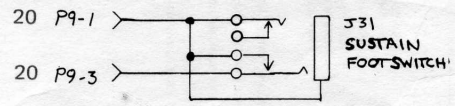
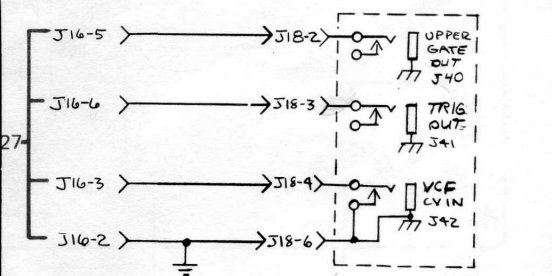
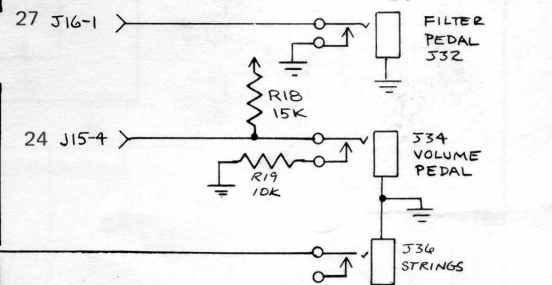
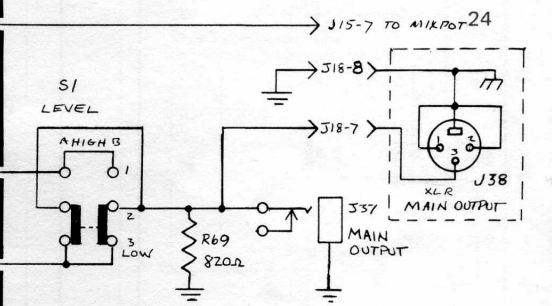
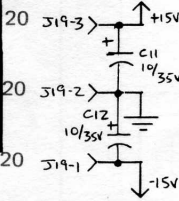
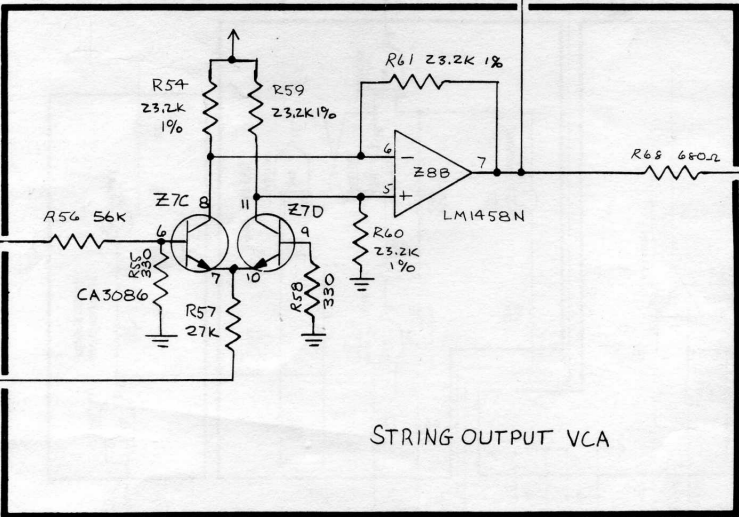
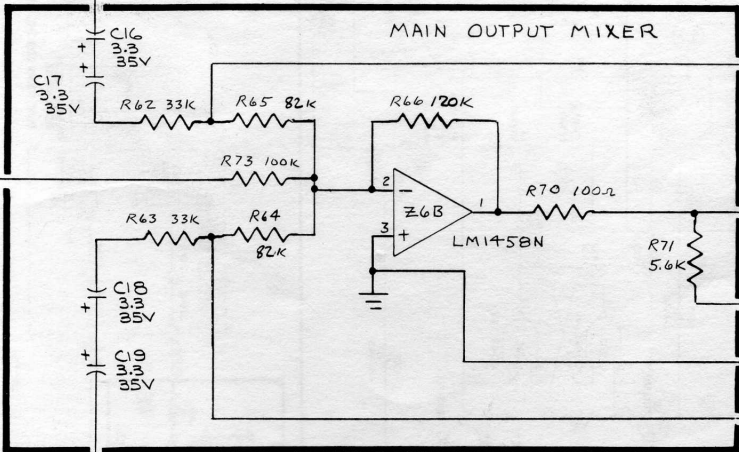
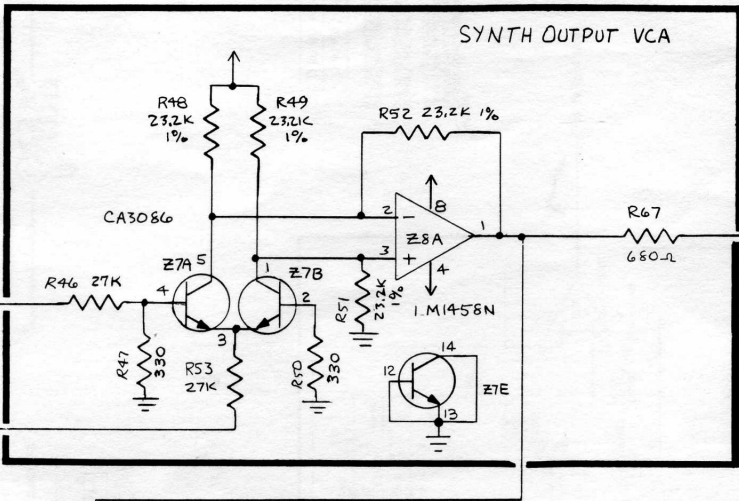


NOTES:

1. UNLESS OTHERWISE SPECIFIED: ALL RESISTORS ARE IN OHMS, 1/4W, 5% ALL CAPACITOR VALUES IN MF (P= PICO-FARADS), ±20%
2. HIGHEST REF DES: C19, CR1, J37, Q2, R71, S1, Z8
3. CONVENTION USED FOR POWER SUPPLY:  
 ↑ IMPLIES +15V  
 ↓ IMPLIES -15V



(BASE VIEW LOOKING TOWARD TERMINALS)

**ARP**

**OMNI-2 MODEL 2470  
SCHEMATIC  
"BASS VOICE" BOARD**