

MNEMONIC LEGEND	
SYM	DESCRIPTION
Z	4' D
Y	4' E
X	8' D
W	8' E
U	BASS OUTPUT
T	BASS REF. VOLTAGE
S	BASS GATE
R	SUSTAIN BUS

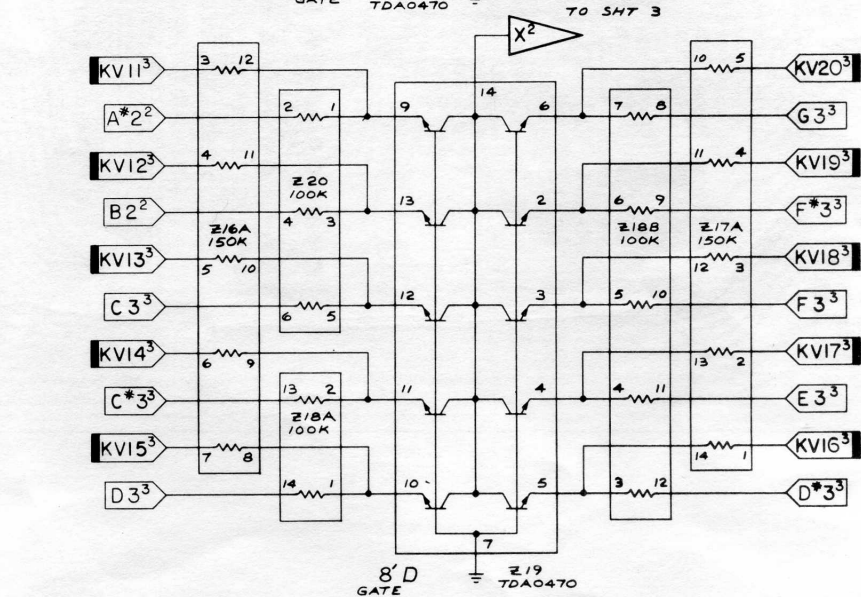
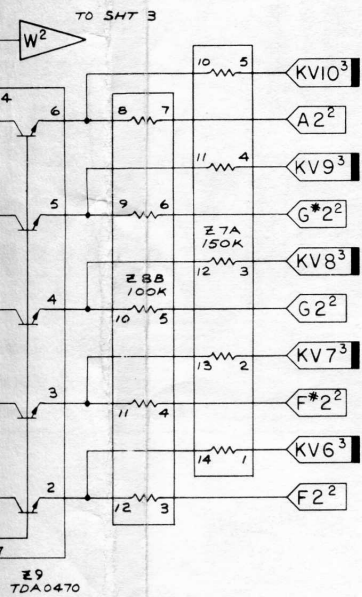
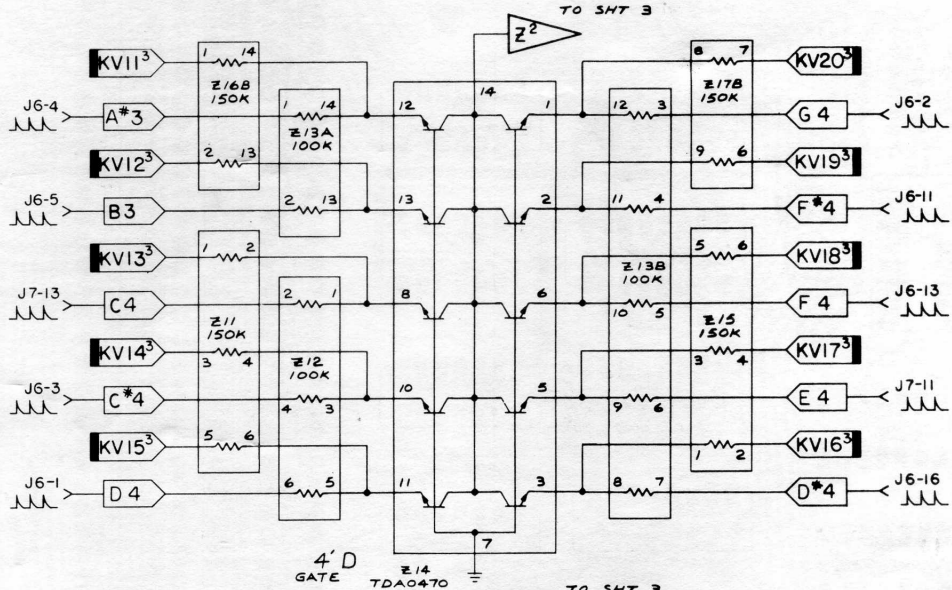
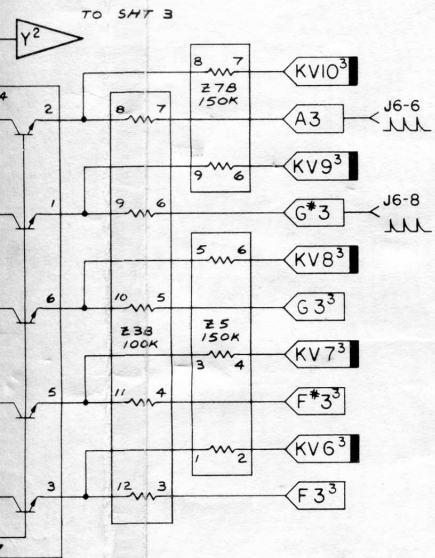
— EXPLANATION OF SYMBOLS USED —

- KVI<sup>3</sup>** = KEYING VOLTAGE ONE, SYMBOL APPEARING THREE PLACES
- G<sup>3</sup>** = TONE G3, APPEARING THREE PLACES
- J5-2<sup>2</sup> = CONNECTION J5-2, APPEARING TWO PLACES
- PI-13<sup>2</sup> = CONNECTION PI-13, APPEARING TWO PLACES
- Z<sup>2</sup>** = MNEMONIC SYMBOL INDICATING 4'D APPEARING TWO PLACES

NOTES:

1. UNLESS OTHERWISE SPECIFIED, RESISTOR VALUES ARE IN OHMS. CAPACITOR VALUES ARE IN  $\mu$ S (P=PIKOFARADS). DIODES ARE IN 4148
2. HIGHEST REF DES: C94, C115, J32, P10, Q31, R176, Z58
3. CONVENTIONS USED FOR SUPPLY VOLTAGE CONNECTIONS:

↑	IMPLIES +15V	↑
↓	IMPLIES -15V	↓
*	IMPLIES +7V	*



NOTE: Voltage requirements are approximate values.

ALL CONNECTIONS ON THIS PAGE (EXCEPT CONNECTIONS TO THE KEYBOARD) ARE MADE ON PAGE 15.



OMNI-2 MODEL 2470  
SCHEMATIC (1 of 3)  
"LOWER VOICING" BOARD