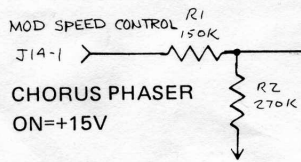
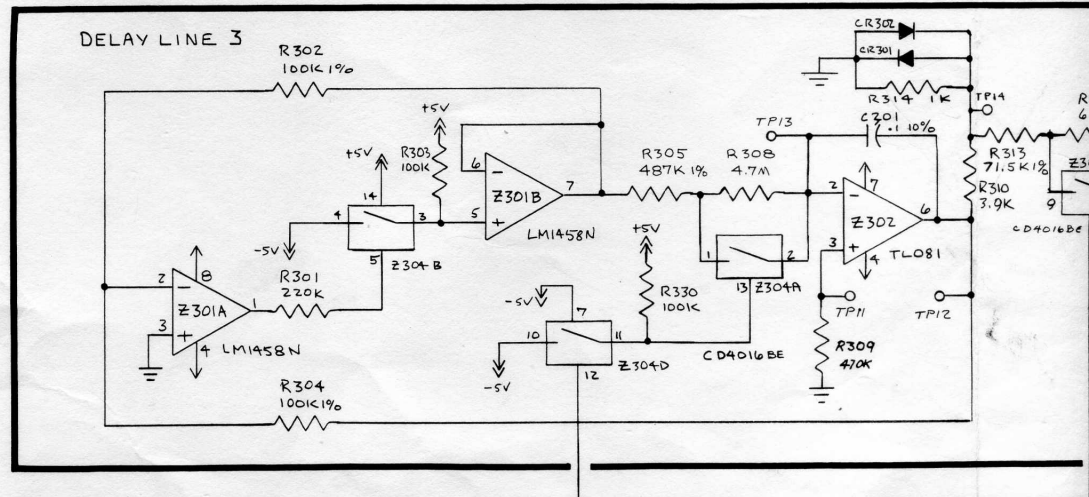
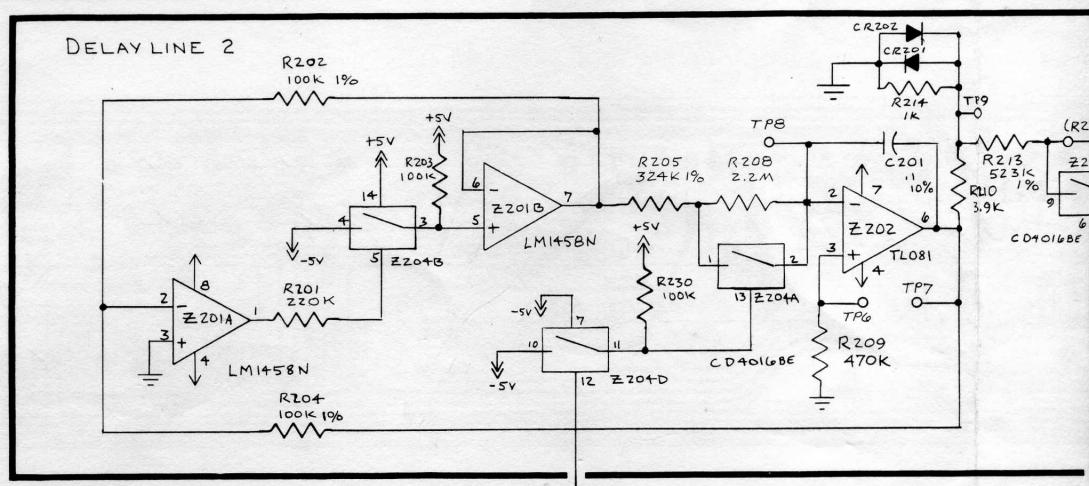
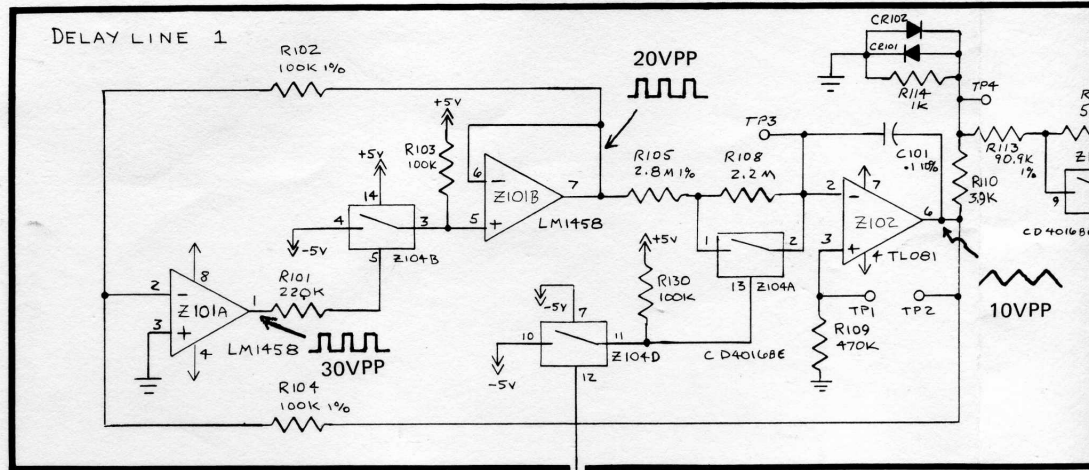
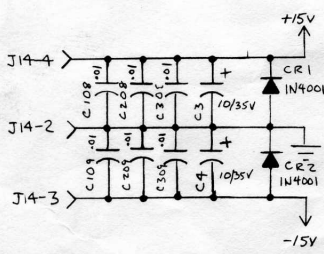


+5V D.C.
300mVPP



CHORUS PHASER
ON=+15V



NOTE: Voltage requirements are approximate values.
X/X= Key up value/Key down value

ALL CONNECTIONS TO THIS BOARD ARE MADE ON THE SYNTHESIZER CONTROL BOARD (PAGE 24).