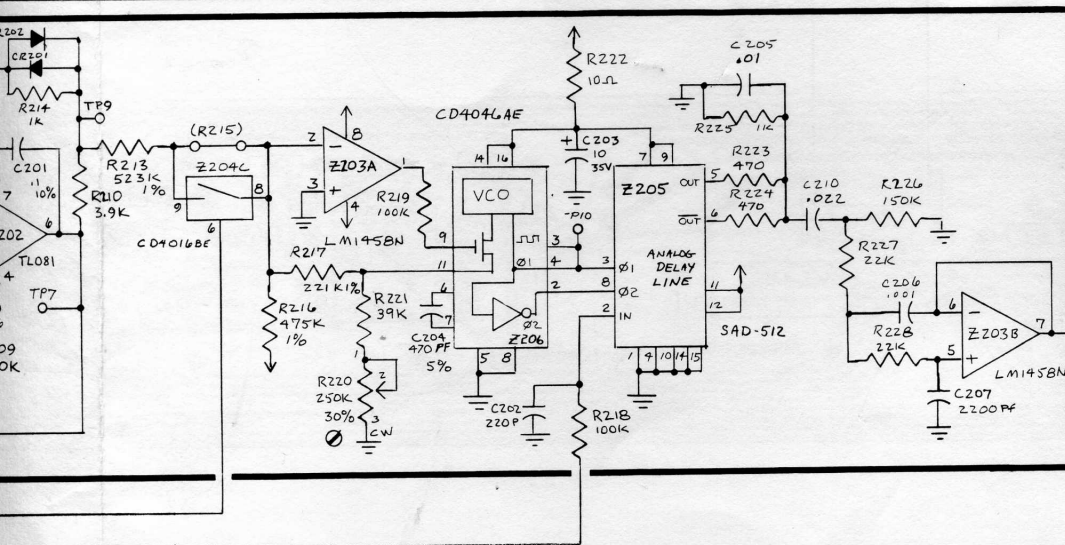
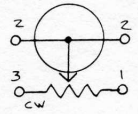


NOTES:

1. UNLESS OTHERWISE SPECIFIED:
ALL RESISTOR VALUES IN OHMS, 1/4W, 5%
ALL CAPACITORS VALUES IN μ F (P= PICO FARAD), 20%
2. HIGHEST REF DES. C307, CR302, R329, Z306
3. CONVENTION USED FOR POWER SUPPLY:

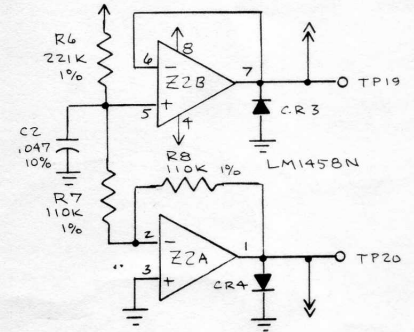
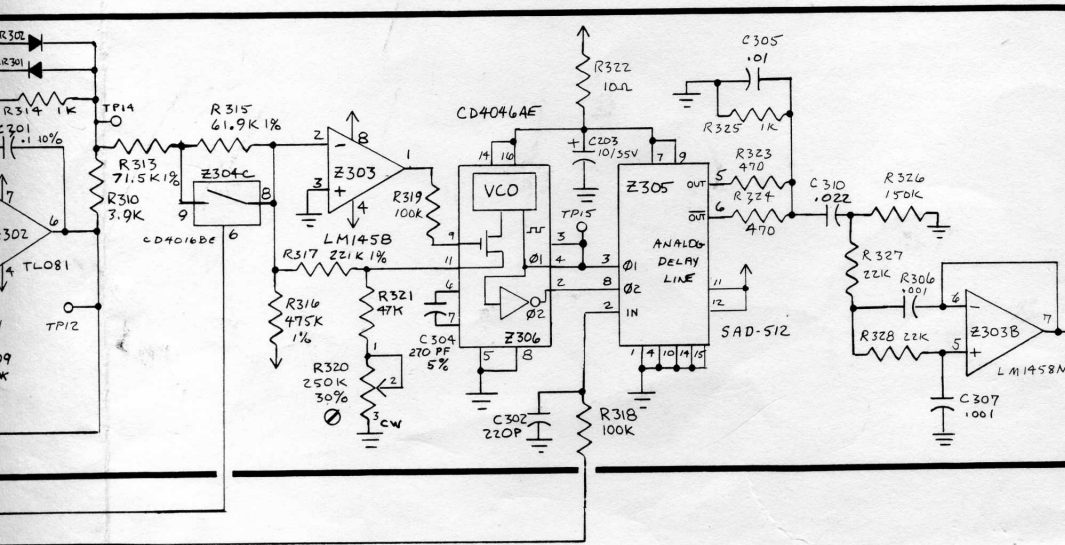
↑	IMPLIES +5V	↑	IMPLIES +5V
↓	IMPLIES -5V	↓	IMPLIES -5V

50mVPP



1VPP

J14-6
MODS TO
VCA



ARP
OMNI-2 MODEL 2470
SCHEMATIC
"PHASER" BOARD