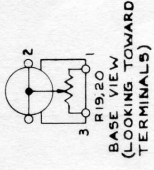
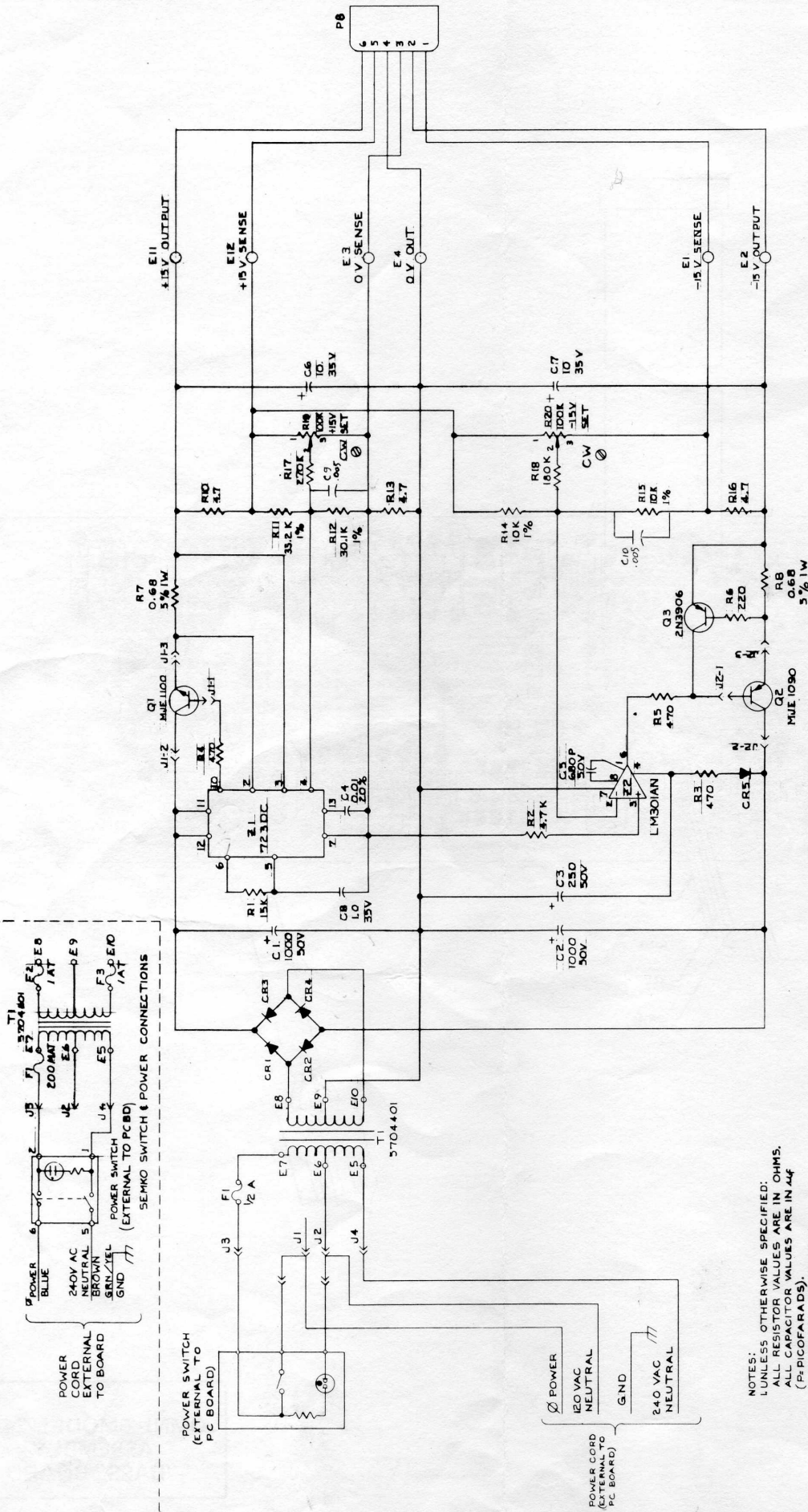


OMNI-2 MODEL 2470
SCHEMATIC
"POWER SUPPLY" BOARD



NOTES:
UNLESS OTHERWISE SPECIFIED:
ALL RESISTOR VALUES ARE IN OHMS.
ALL CAPACITOR VALUES ARE IN µF
(PICOFARADS) VALUES ARE IN pf
ALL DIODES ARE 1N4001.
2. HIGHEST REF. DES.
CR5, CR6, E12, F1, V4, P1, Q3, R20, T1, Z2.

ALL CONNECTIONS ON THIS BOARD ARE MADE ON PAGE 20.