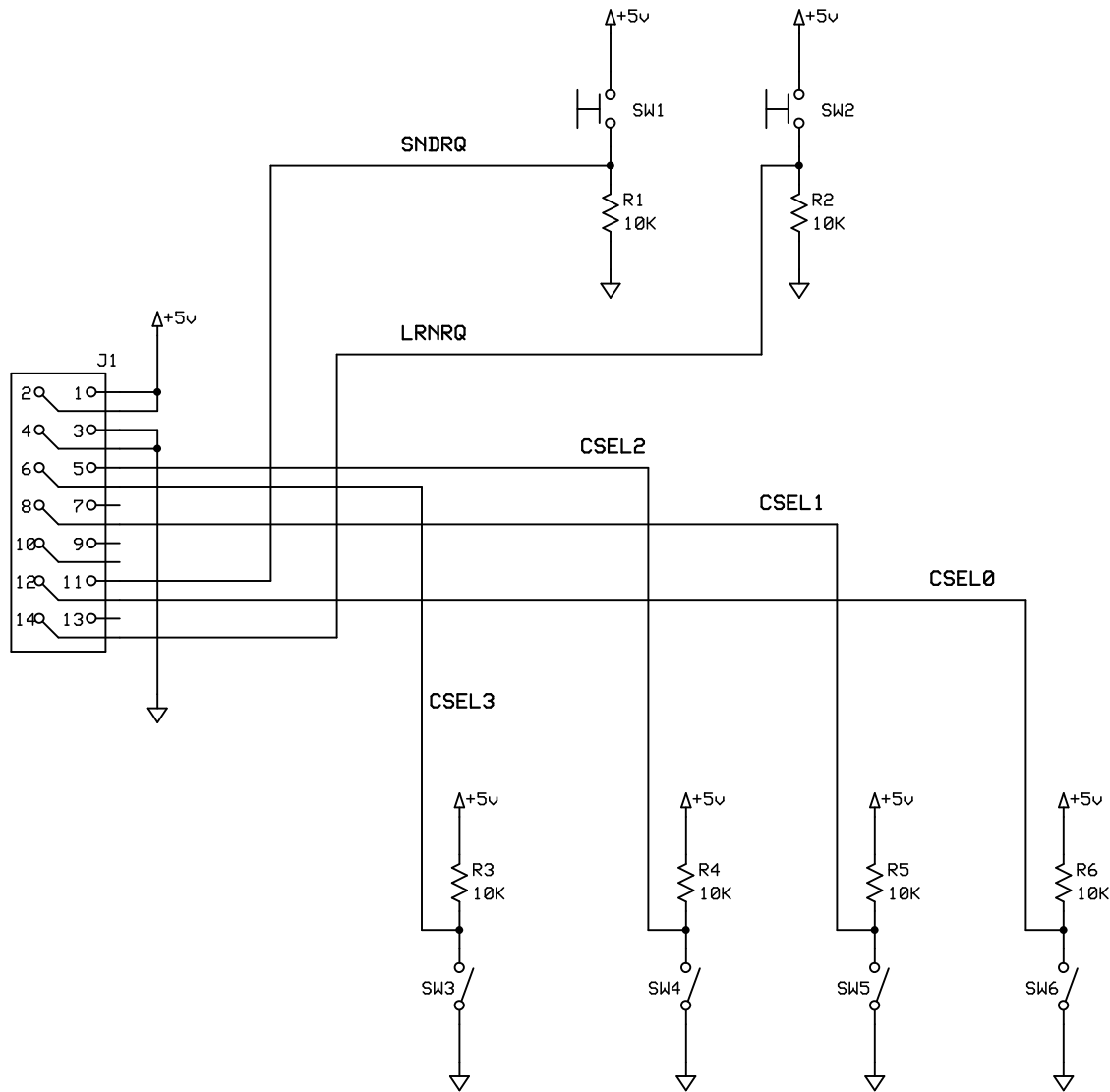


SPDT Switches can be used to eliminate resistors:



IR Mimic must be in MCU mode to use this configuration.

For most applications without an MCU, the standard keypad interface may be simpler to use than this one.

|                                  |           |             |
|----------------------------------|-----------|-------------|
| <b>TaunTek</b>                   |           |             |
| <b>IR Mimic Key Interface #2</b> |           |             |
| R. Grieb                         | Rev 1.0   | Page 1 of 1 |
|                                  | 3/26/2005 |             |