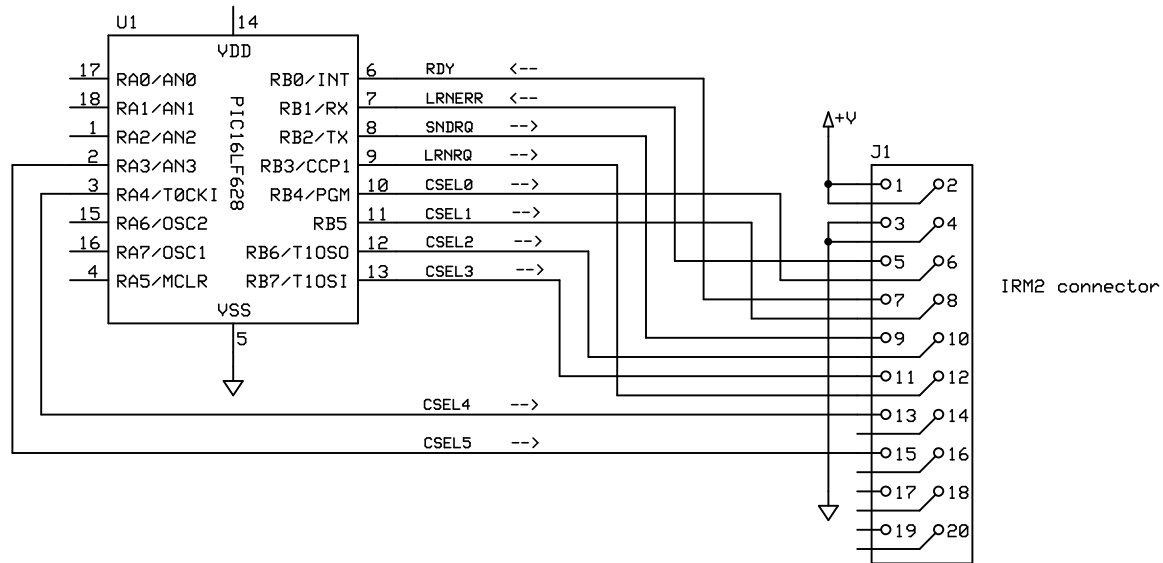


Controlling MCU and IRM2 chip should both be running at the same VDD voltage level.



Any MCU with the necessary I/O ports can be used. Part shown is for reference only.  
I/O port connections on MCU are arbitrary, depending on application.