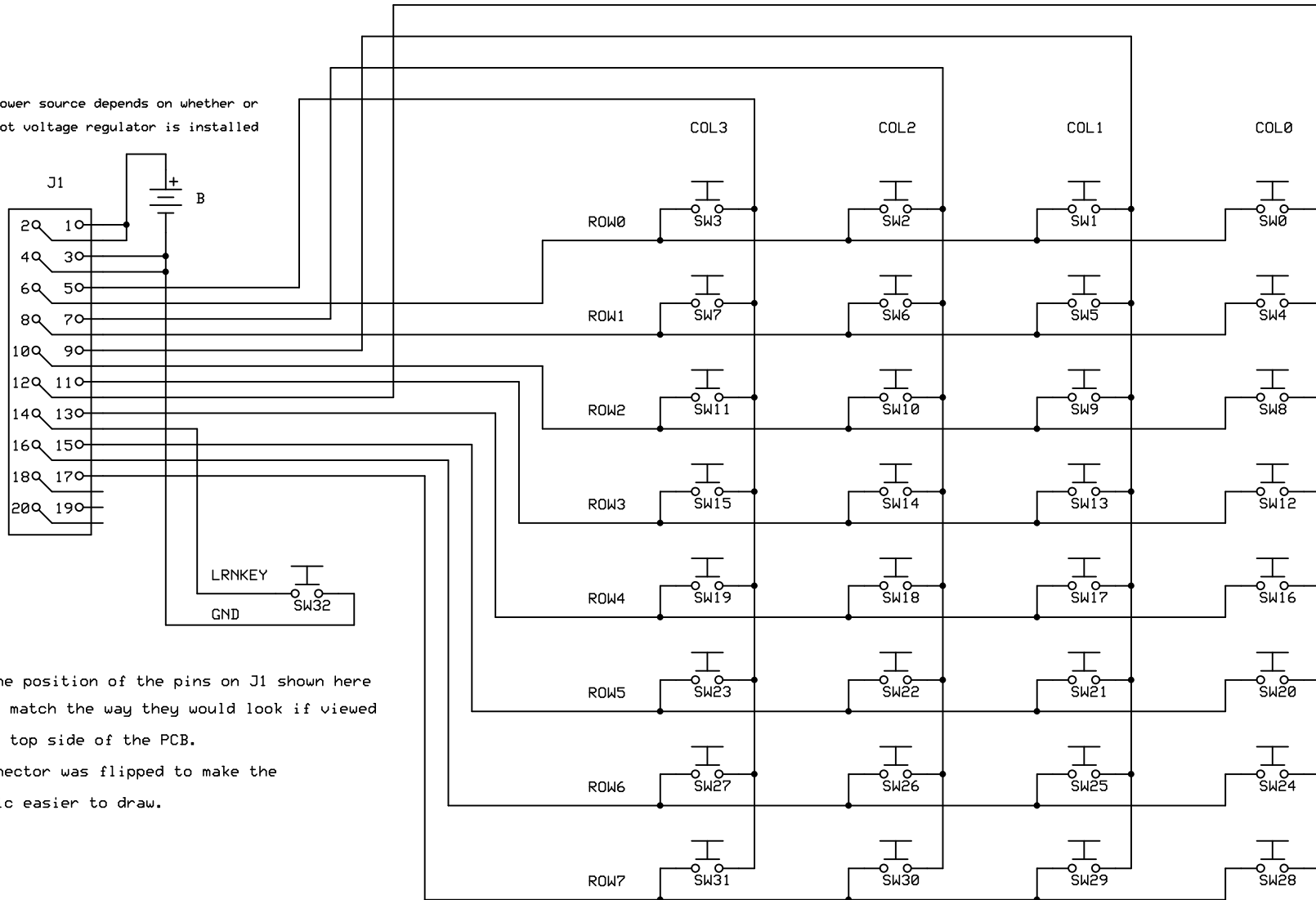


Power source depends on whether or not voltage regulator is installed



Note: The position of the pins on J1 shown here does NOT match the way they would look if viewed from the top side of the PCB.

The connector was flipped to make the schematic easier to draw.

Only use as many matrix switches as you need, starting from SW0.

TaunTek		
IR Mimic2 Keypad Interface		
R. Grieb	Rev 1.0	Page 1 of 1
	1/06/2006	