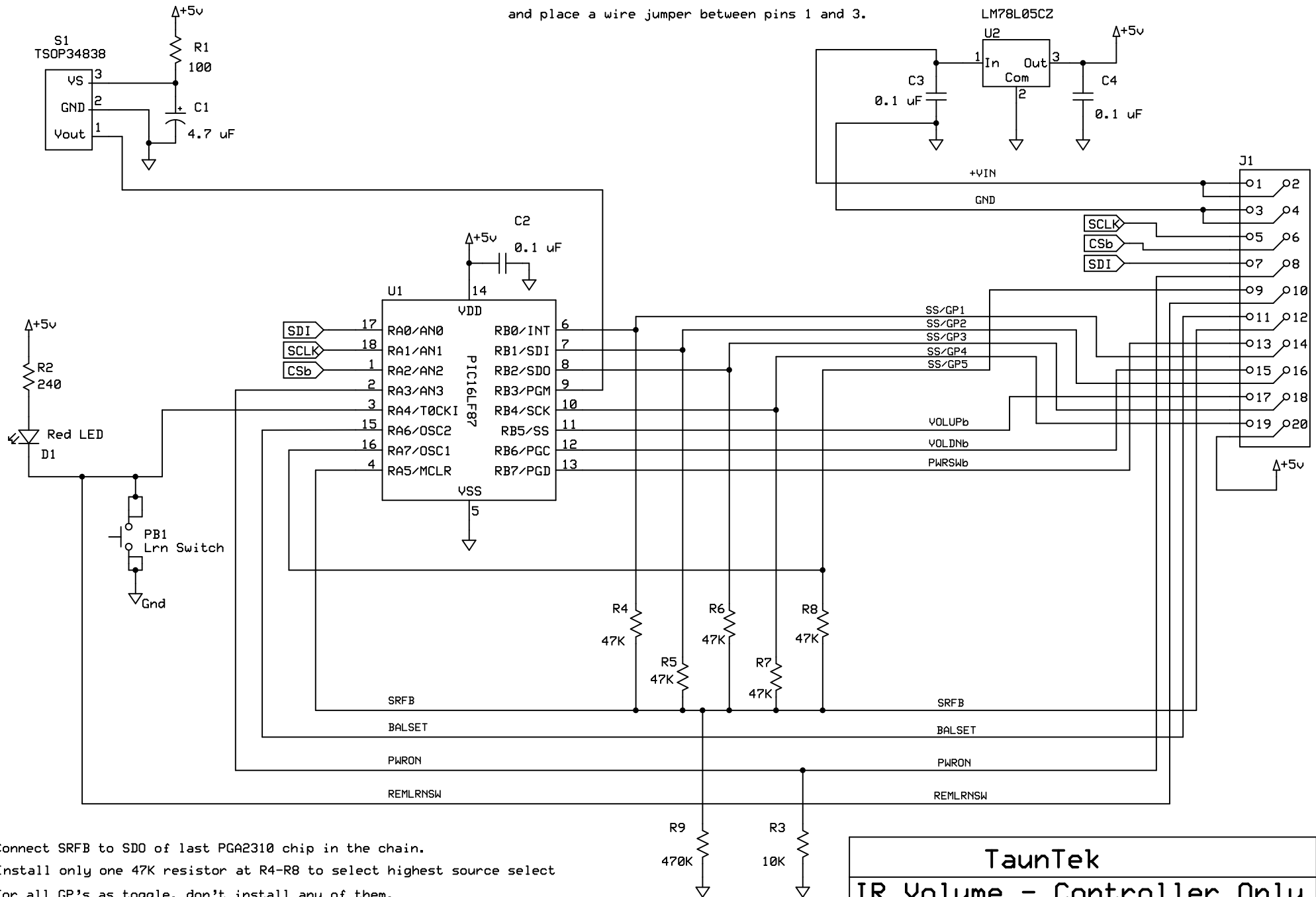


If regulator is not needed, feed in 5V,  
and place a wire jumper between pins 1 and 3.



Connect SRFB to SDO of last PGA2310 chip in the chain.

Install only one 47K resistor at R4-R8 to select highest source select

For all GP's as toggle, don't install any of them.

Use PWRON signal as pullup for Mute inputs on PGA chips for Brown-Out protection.

Add a 10K series resistor if Mute sw to GND is used.

<b>TaunTek</b>		
<b>IR Volume - Controller Only</b>		
R. Grieb	Rev 0.6	Page 1 of 1
	6/25/2006	