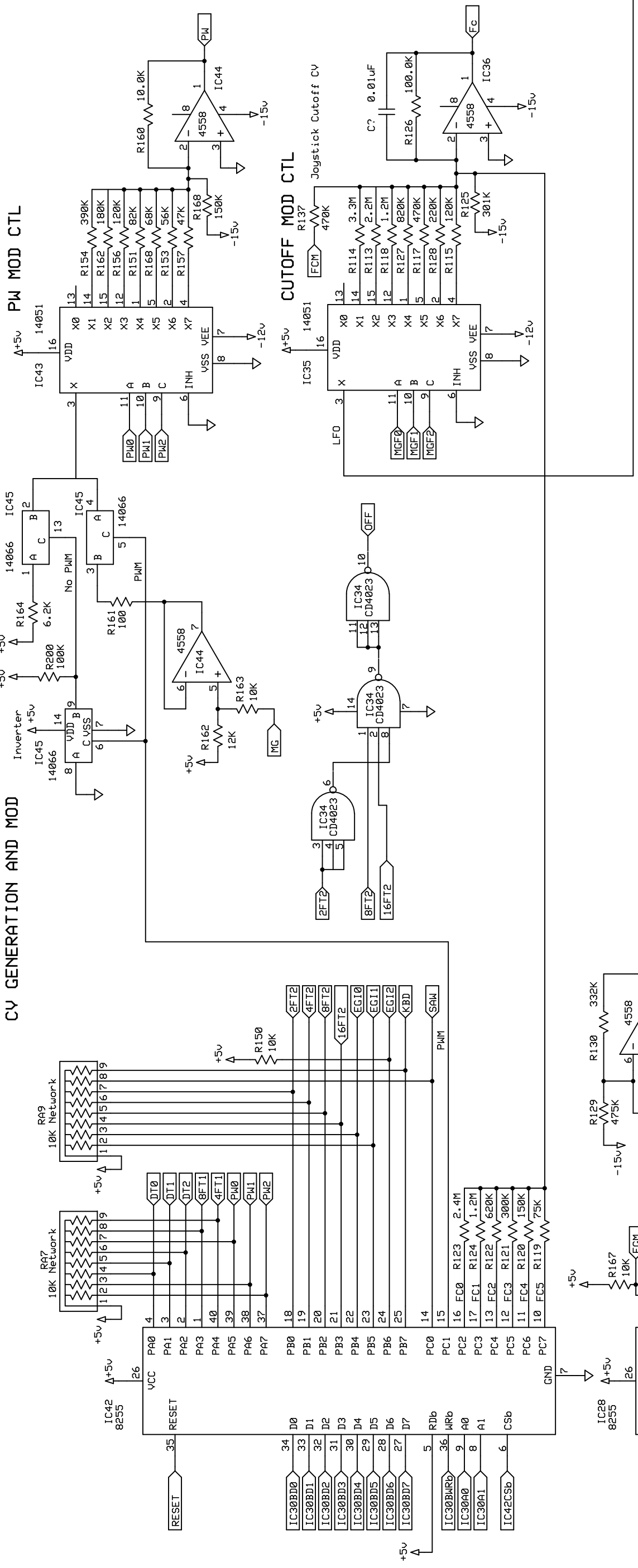
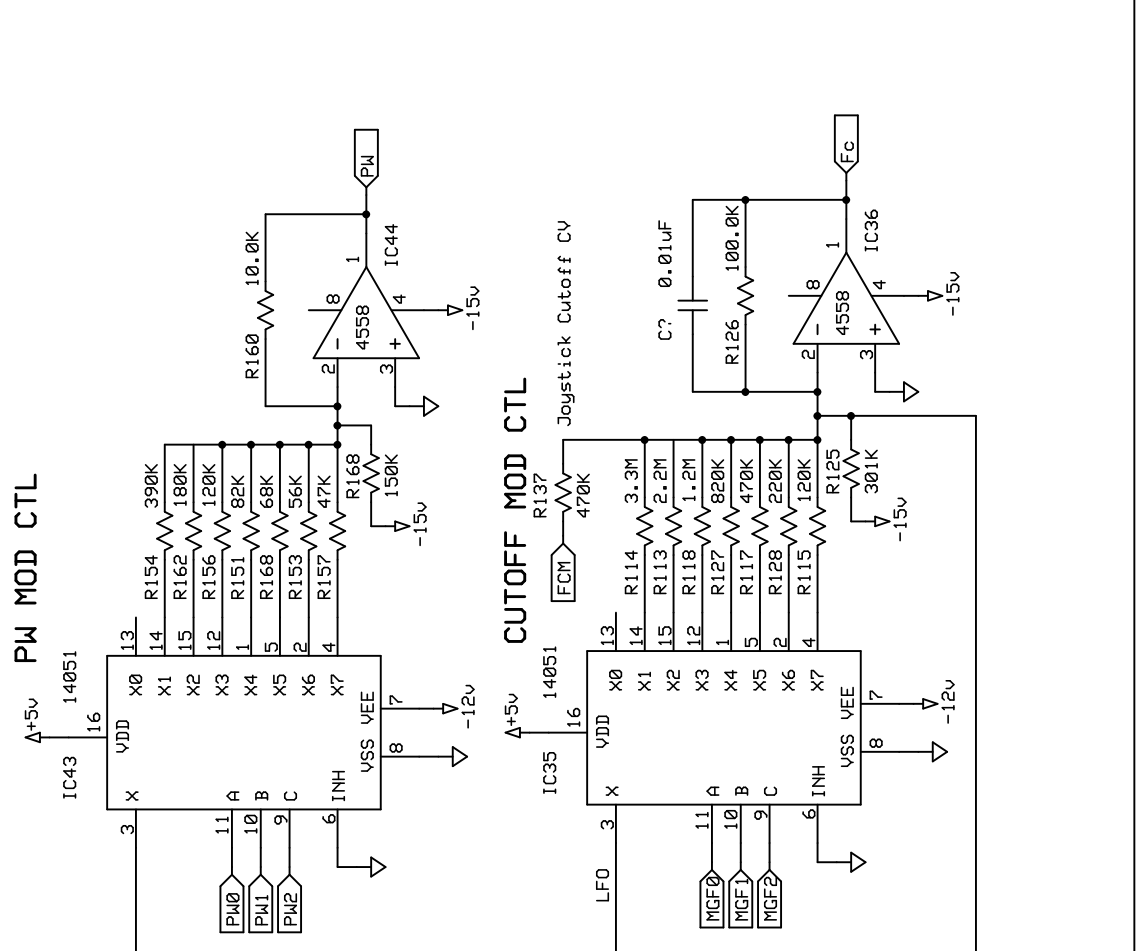


CV GENERATION AND MOD

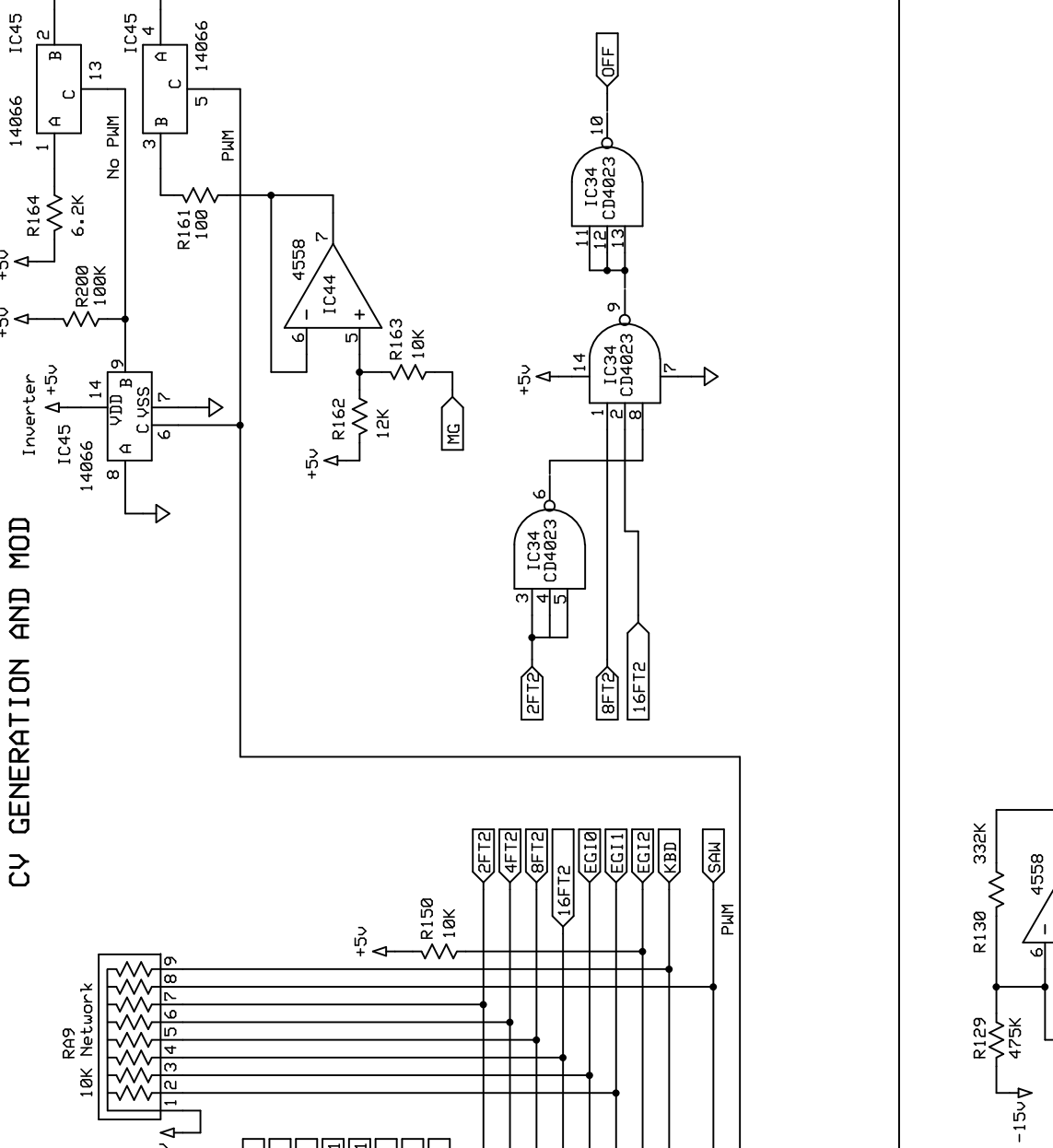


- CN-10A  
18pinFlex  
To Voice Board
- 01 OFF
  - 02 2FT2
  - 03 4FT2
  - 04 8FT2
  - 05 16FT2
  - 06 EGI0
  - 07 EGI1
  - 08 EGI2
  - 09 KBD
  - 10 SAM
  - 11 RW
  - 12 Fc Cutoff
  - 13 RES
  - 14 ATT
  - 15 DEC
  - 16 SUS
  - 17 REL
  - 18 NC

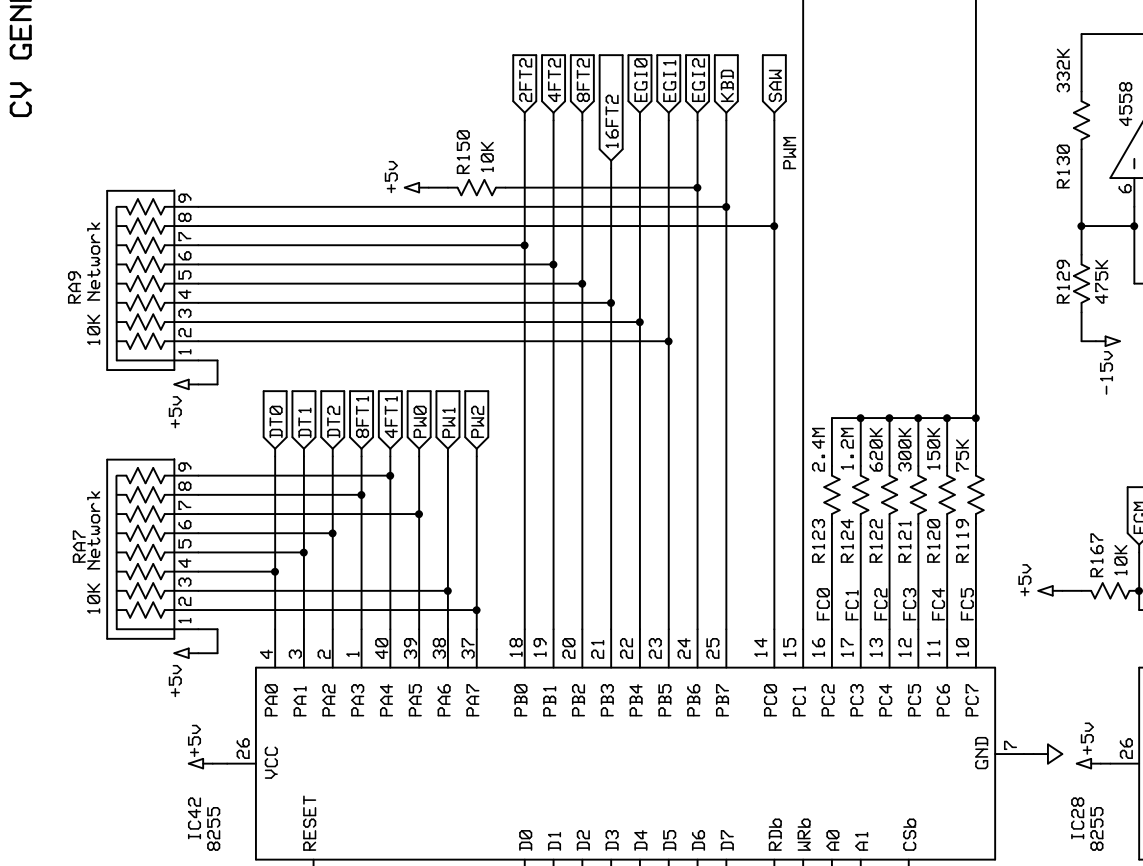
MODULATION GENERATOR (LFO)



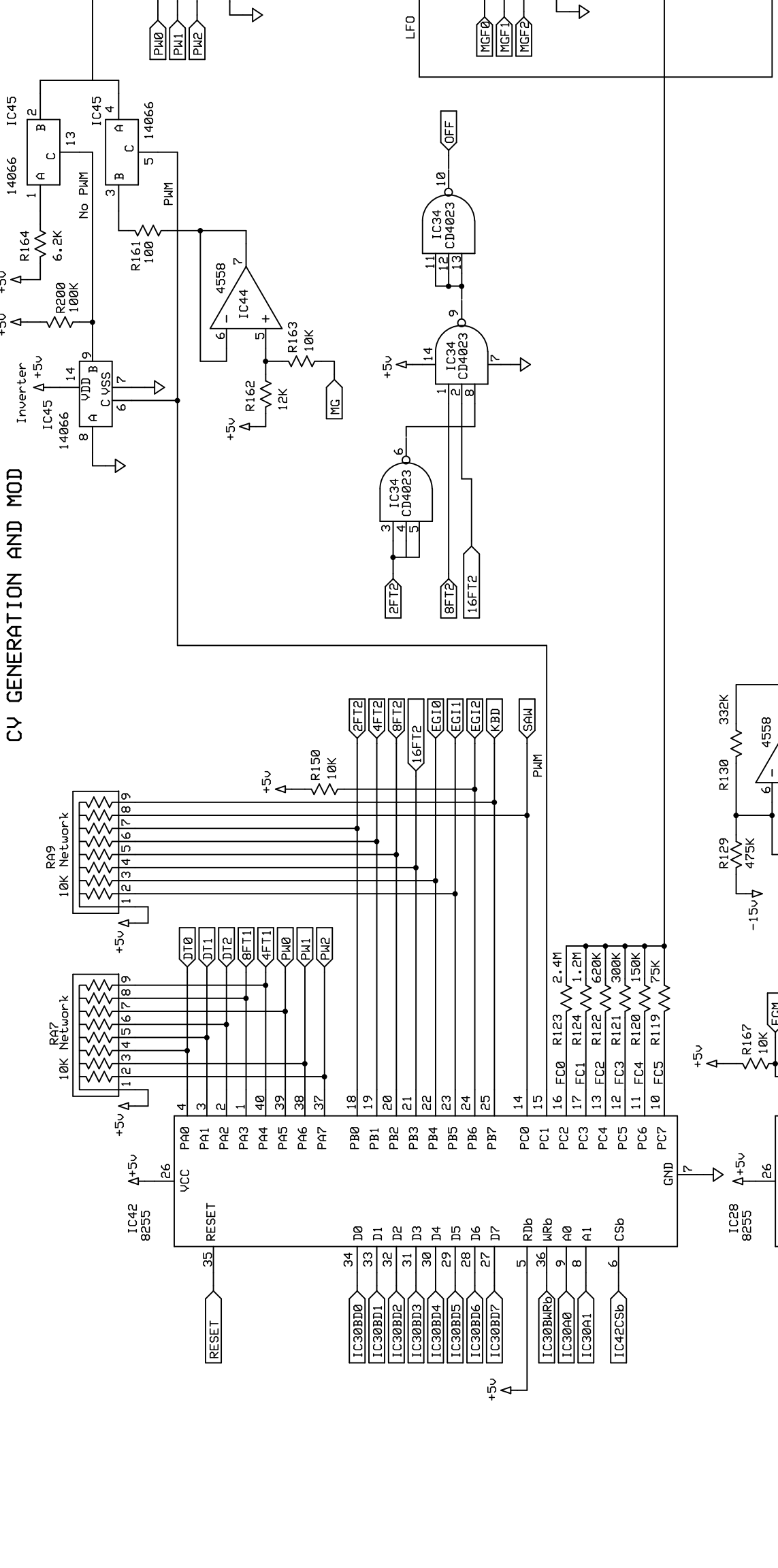
MOD DELAY



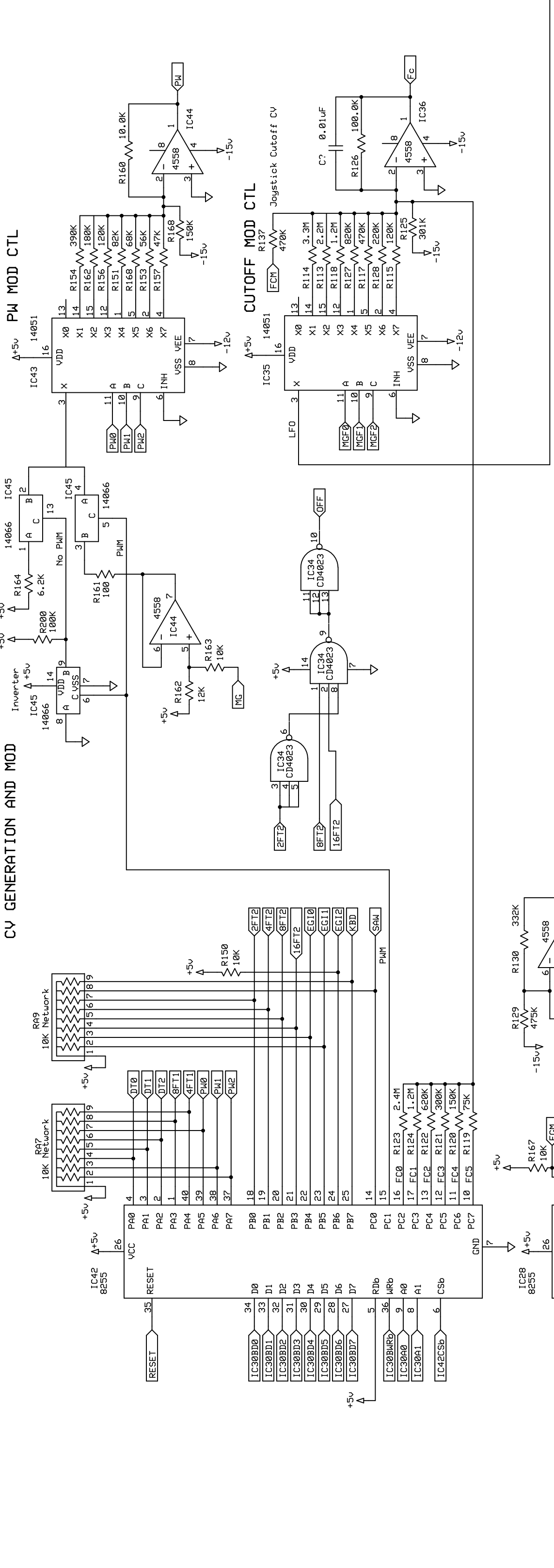
MOD DELAY SWITCH



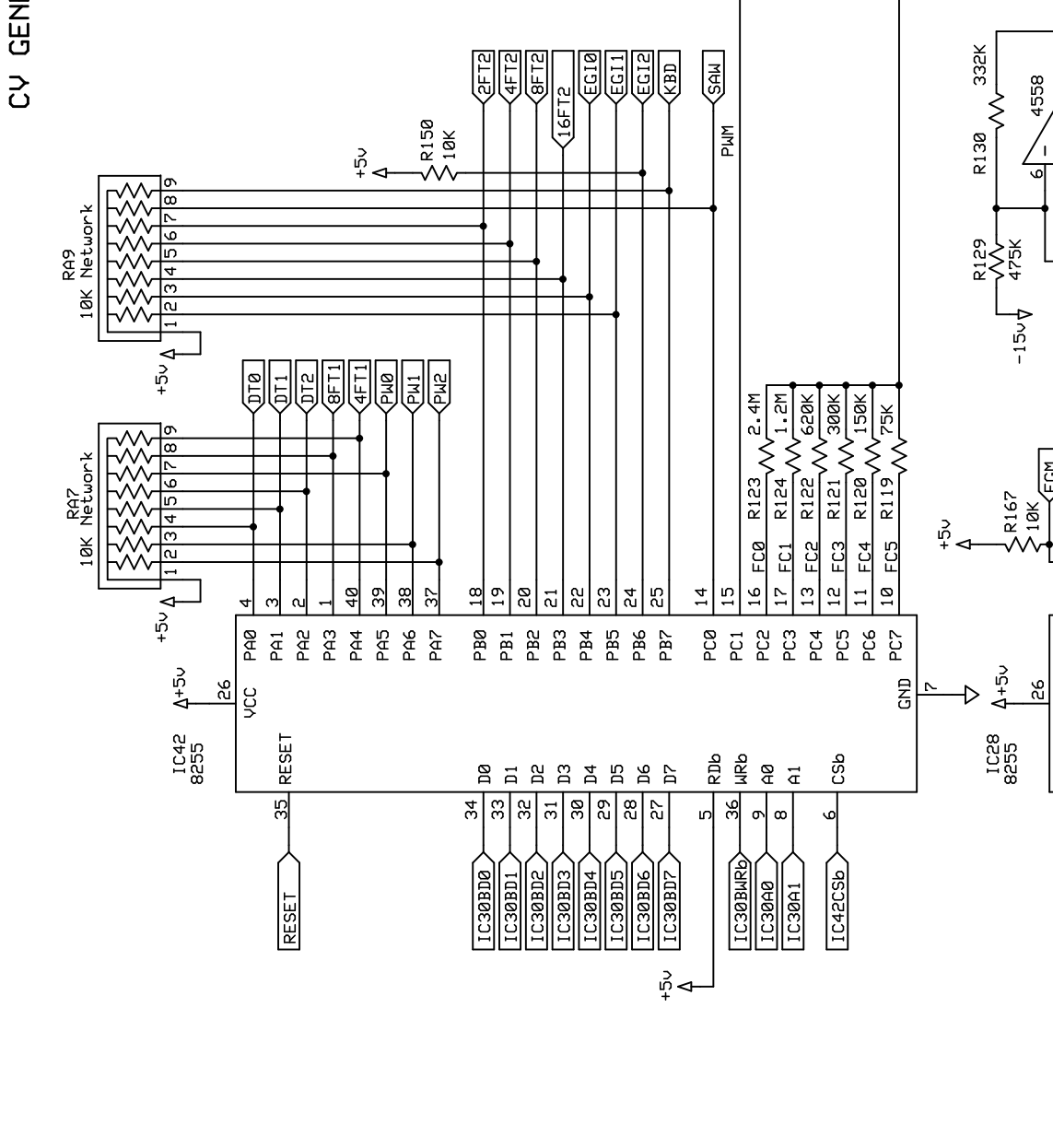
DCO CLK MOD CTL



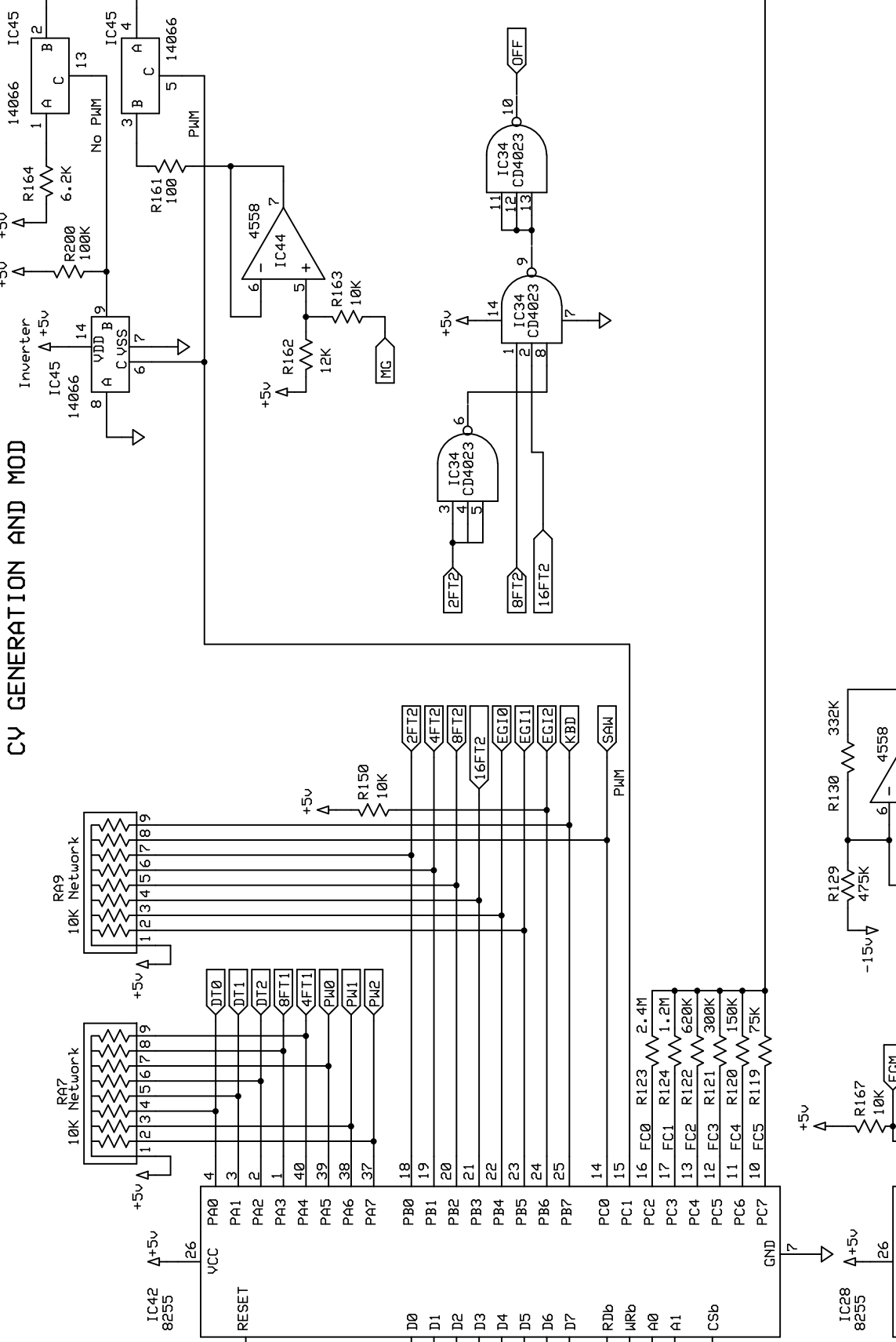
DCO CLK MOD CTL



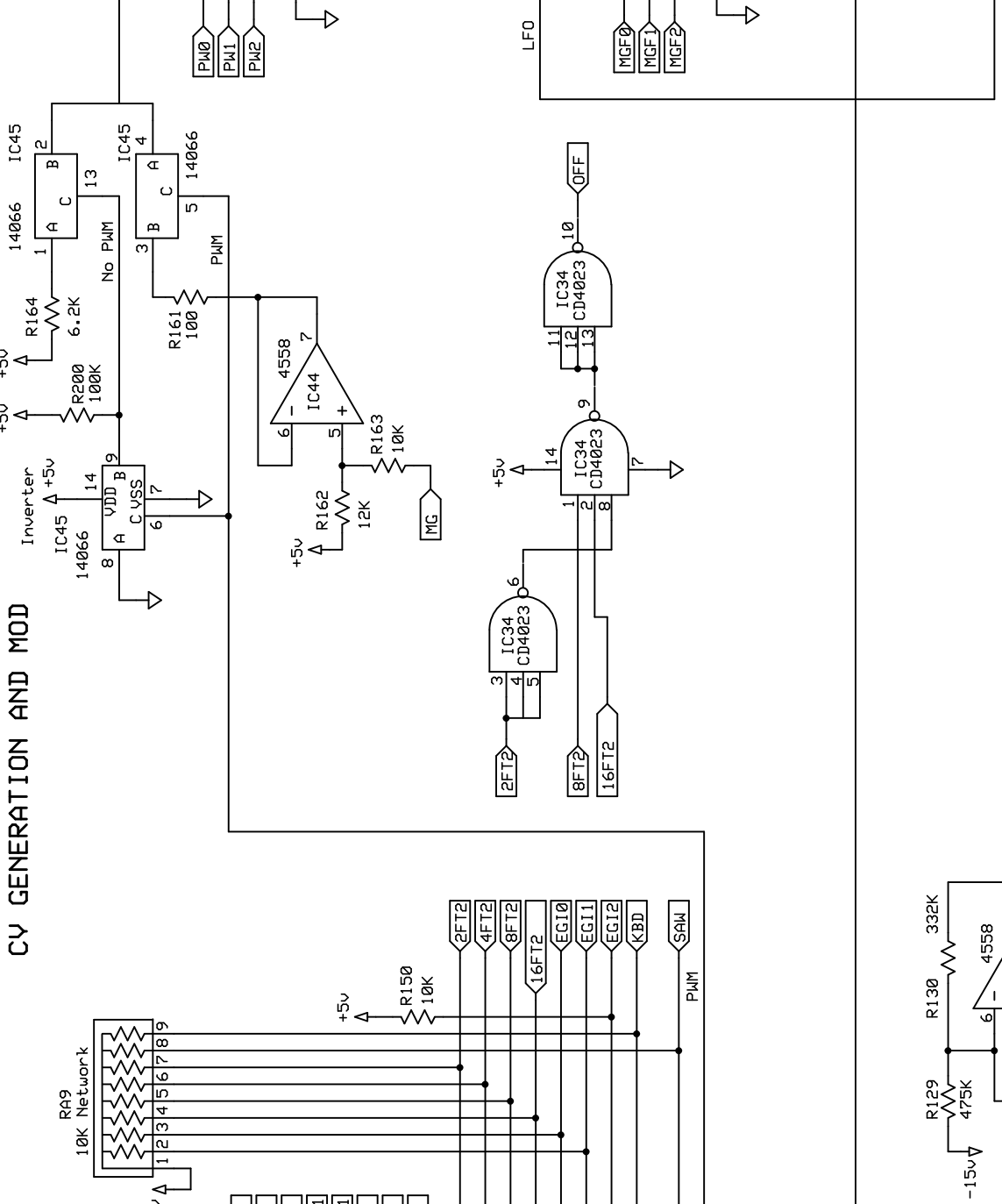
DCO CLK MOD CTL



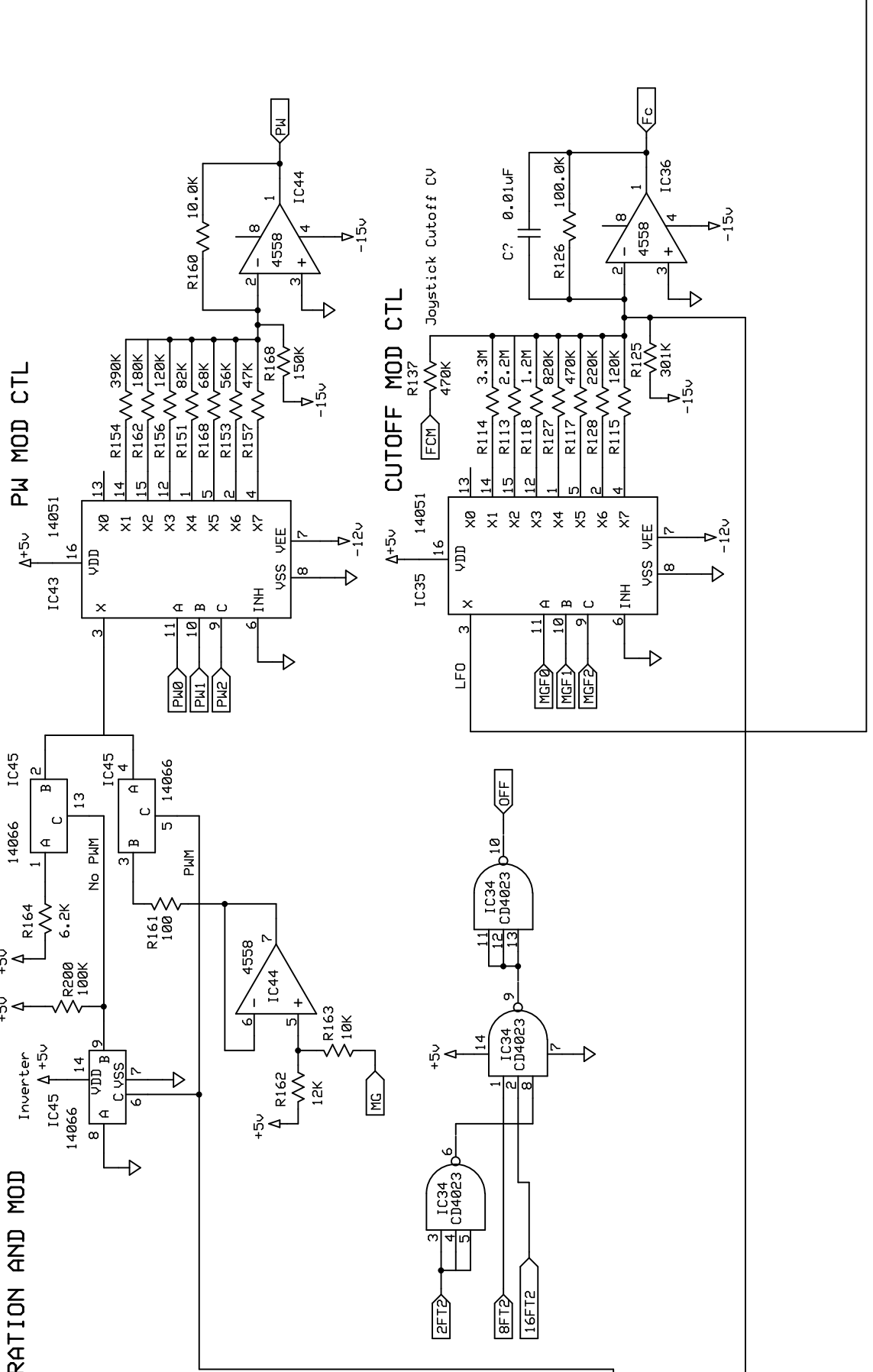
DCO CLK MOD CTL



DCO CLK MOD CTL



DCO CLK MOD CTL



Schematic drawn and compared to PCB by R Grieb March 2024 and may contain errors. Some component references may be different. KLM-509 is very similar.