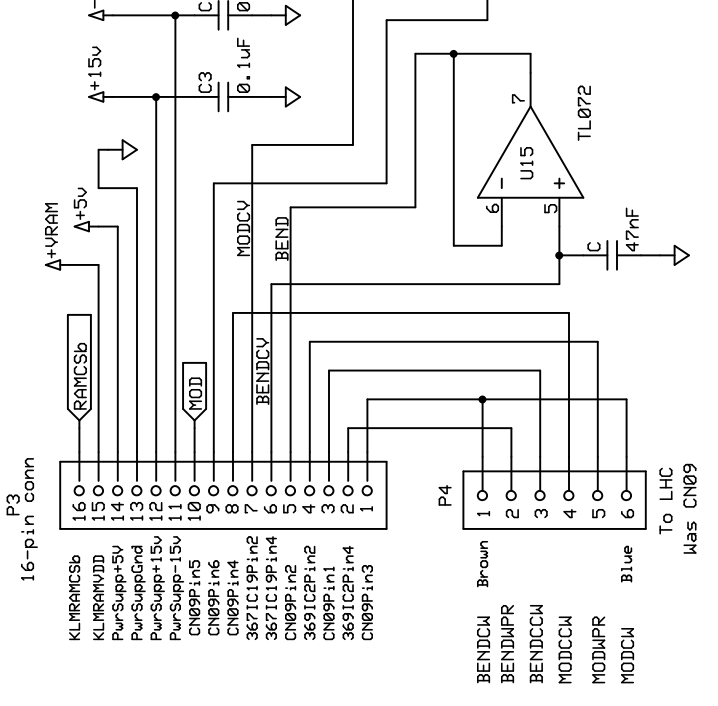


MOD and Bend pots are now converted along with other pots
Former pot signals are replaced with CV's.



Schematic captured May 2022 by R Grieb from a PolySix.
May include errors. Some bypass caps not shown.
Resistors and capacitors numbered by me.