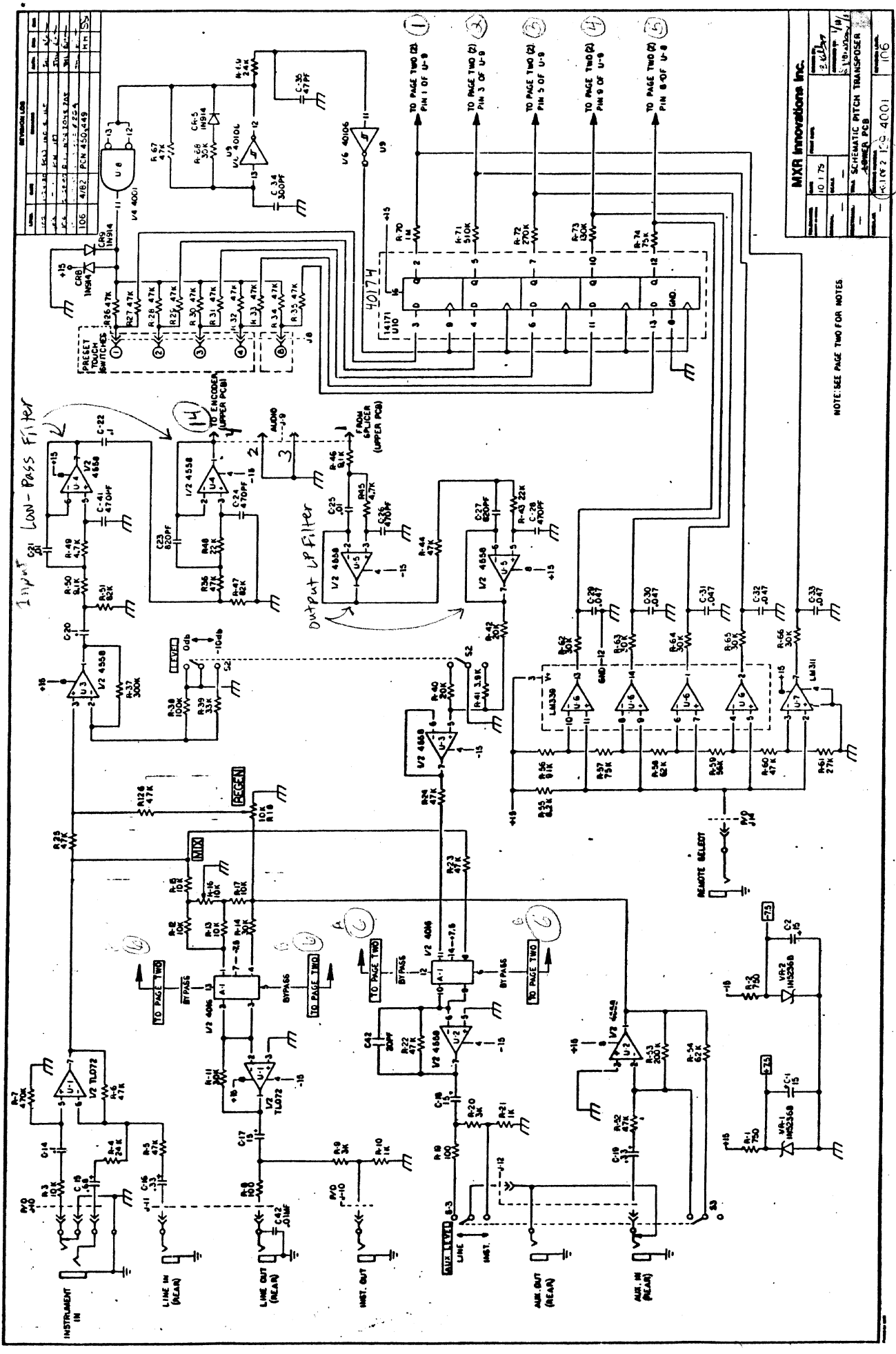


10



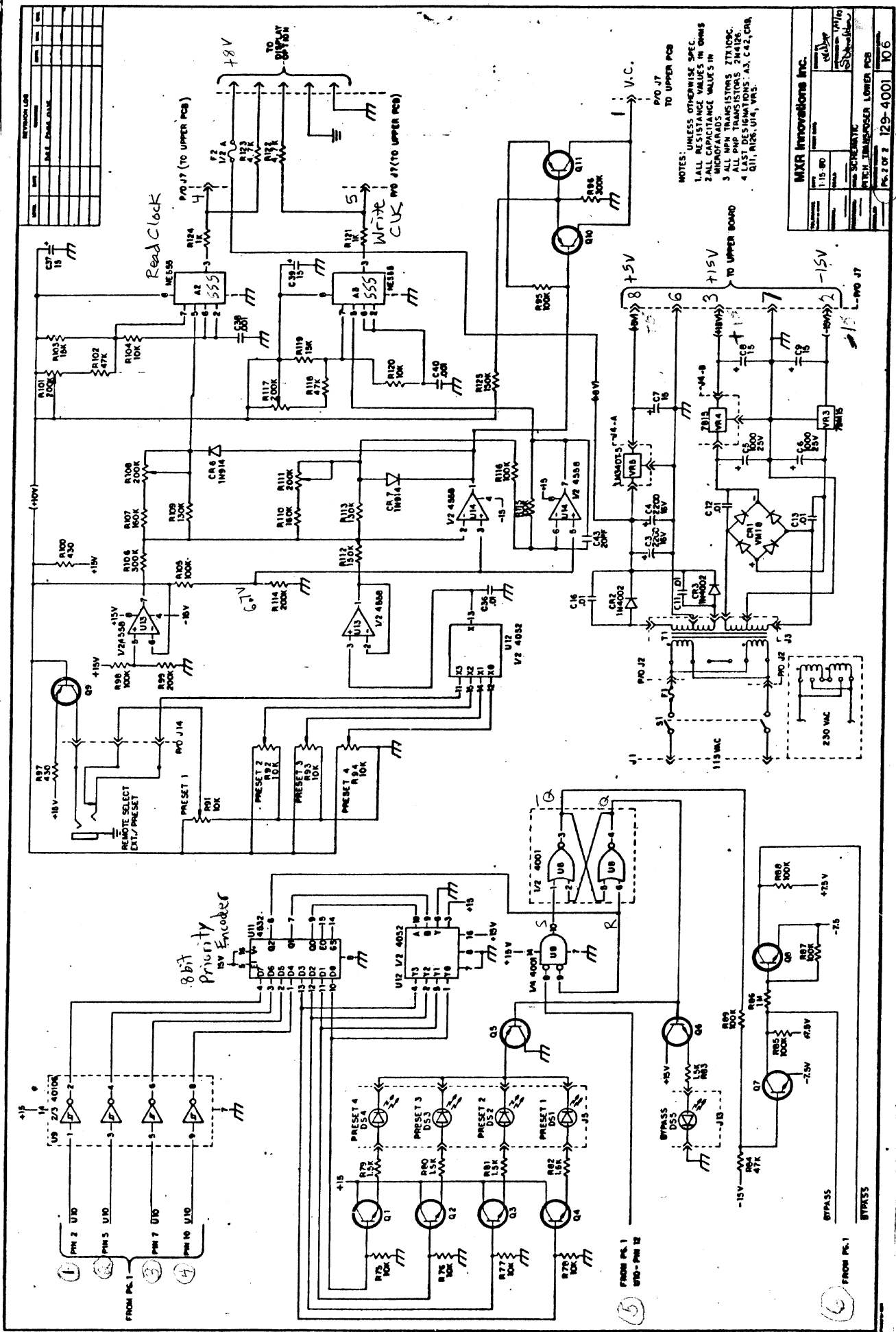
MIXR Innovations Inc.

DATE	10/1/75
DESIGNER	SCHEMATIC PITCH TRANSPOSER
PCB	4001
REV	1/1

NOTE: SEE PAGE TWO FOR NOTES

Read + Write CLK Generation

Preset Selection



NOTES:
 1. ALL RESISTANCE VALUES IN OHMS
 2. ALL CAPACITANCE VALUES IN P.F.
 3. ALL NPW TRANSISTORS 2TL100C
 4. ALL PNP TRANSISTORS 2N4124
 5. ALL DIODES 1N4148
 6. ALL LAST DESIGNATIONS: A3, C42, C9A, Q11, R12R, U14, VRS.

MIXR Innovations Inc.	
DATE	1/15/80
DESIGNER	John S. Schmitt
CHECKED	John S. Schmitt
MIXR INNOVATIONS LOWER PCB	
PCB #	2 OF 2 129-4001 106

Power Supply

Bypass Mode Control