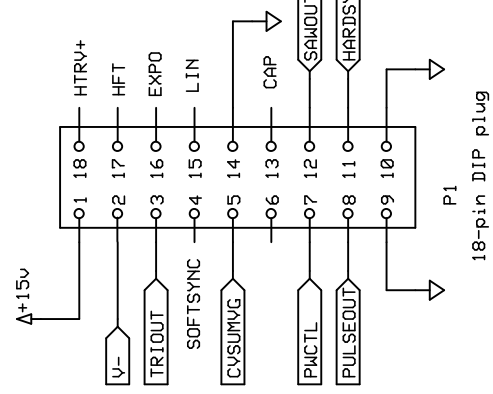


- R1 100PPM
- R2 100PPM
- R9 100PPM
- R10 100PPM
- R12 100PPM
- C1 X7R
- C2 low drift
- C3 X7R
- C4 X7R
- C5 X7R
- C7 X7R



Lift one end of 22K R117,55,56,57 on KLM354
 Lift one end of 115K R208,308,408,508 on KLM354
 Short across 620 ohm R209,309,409,509 on KLM354