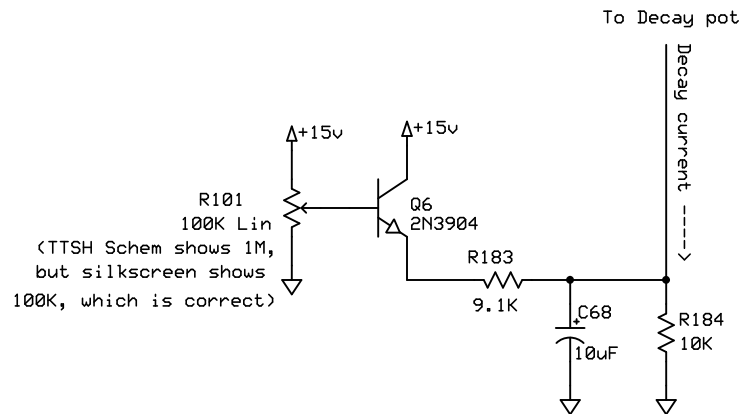


2600/TTSH Sustain voltage buffer:



<TTSH Schem shows 1M,
but silkscreen shows
100K, which is correct>

Note that decay current tends to charge C68

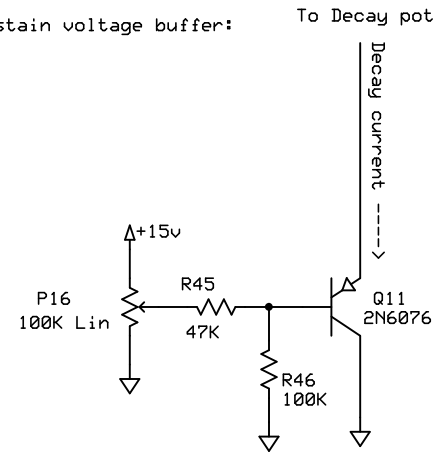
This raises the sustain voltage.

If the ADSR is triggered fast enough, C68

doesn't have time to discharge to the correct level.

NPN can only source current, so it doesn't help

Odyssey Sustain voltage buffer:



PNP emitter-follower supplies decay current

No cap is needed

Since PNP needs 0.6V across base-emitter
we can't actually get 0V sustain level.

Could connect P16 to -1V instead of ground.

Or use an op amp instead of Q11

But, it works in the Odyssey, so probably OK.

Tauntek

ARP 2600 ADSR Sustain Buffer Info

Designer's name

Rev 1.0

10/1/2016

Page 1 of 1