

**Tauntek**

**Synthex Rev 1 Keybd MIDI**

Rev. 1.0  
1/31/2018

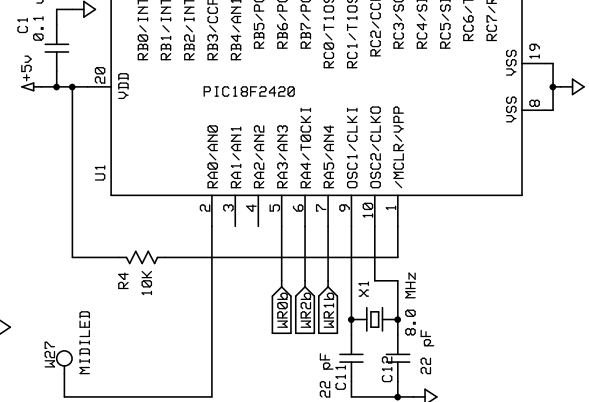
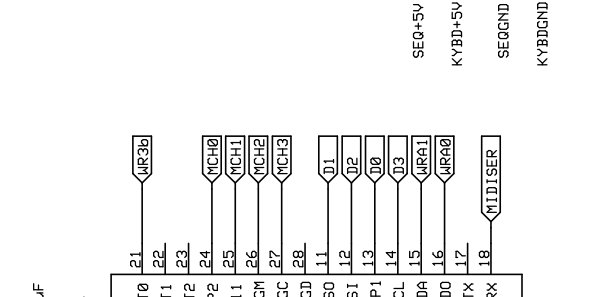
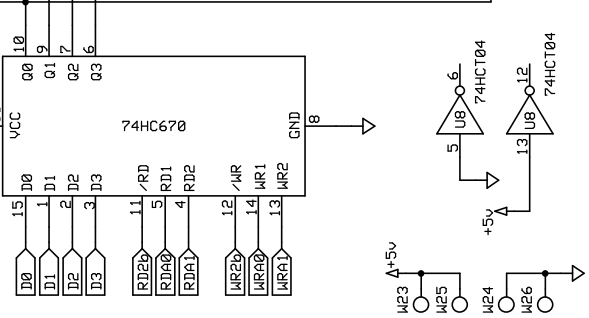
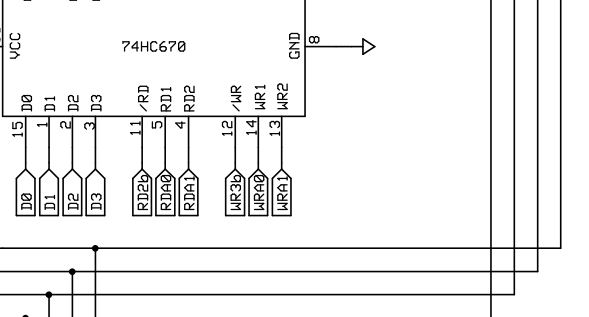
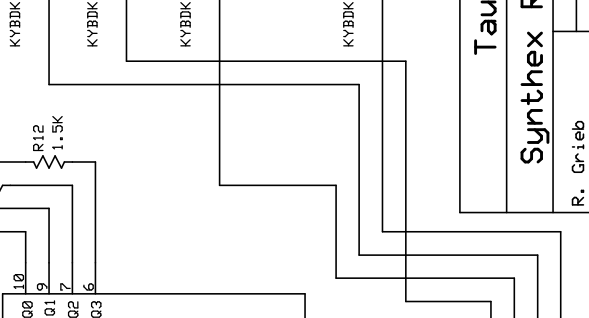
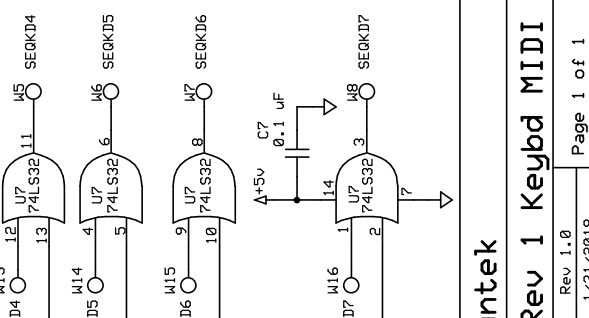
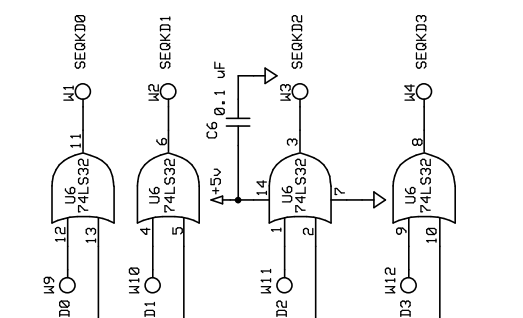
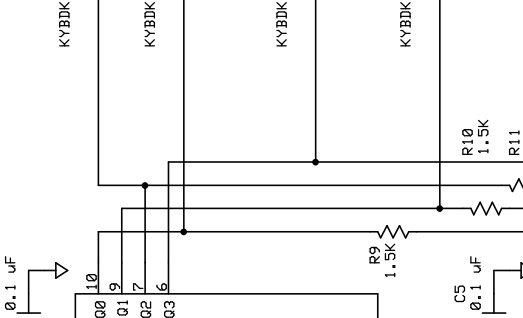
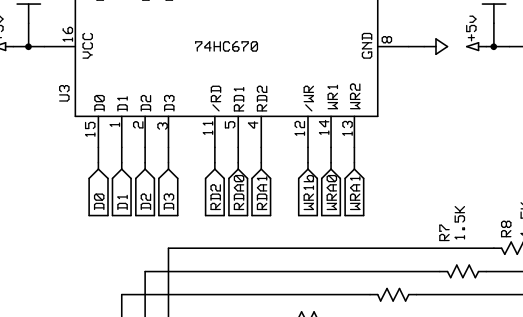
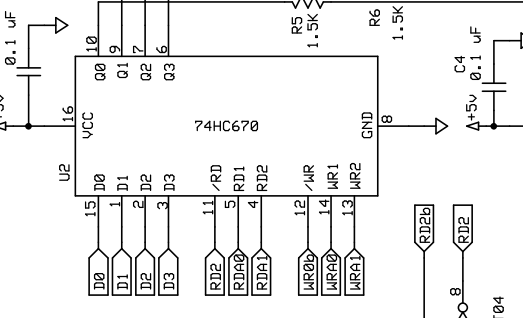
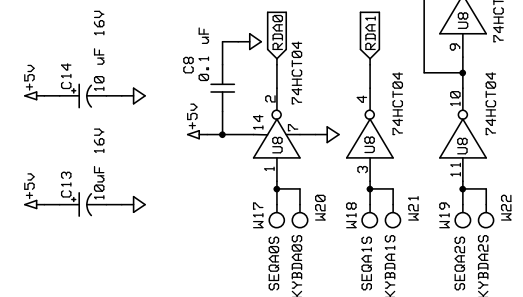
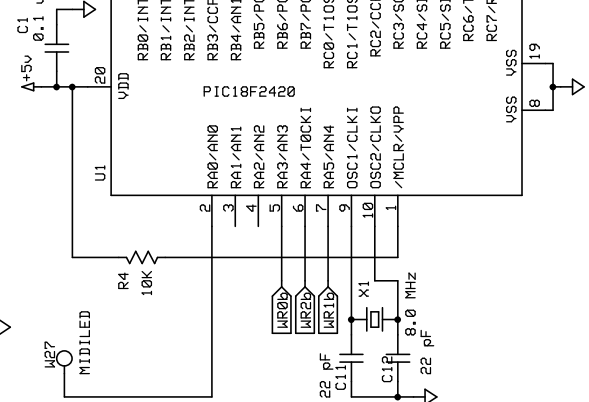
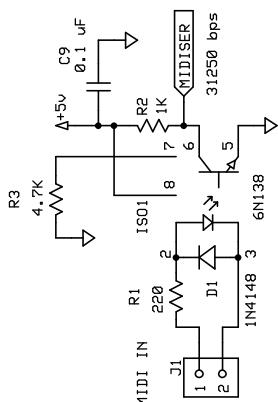
Page 1 of 1

R. Grueb

Closed (On) Sw adds this value:

MCH3	8
MCH2	4
MCH1	2
MCH0	1

Add 1 to sum of all switches to get MIDI channel



**Tauntek**

**Synthex Rev 1 Keybd MIDI**

Rev. 1.0  
1/31/2018

Page 1 of 1

R. Grueb